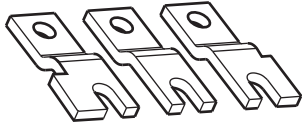


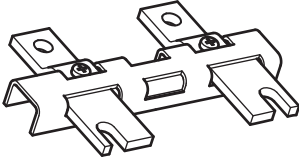
Operating instructions  
Betriebsanleitung  
Notice d'instructions  
Instruktion  
Instruzioni tecniche  
Instrucciones de empleo  
Ohje

Interconnection bars  
Verbindungen  
Barres  
Överkopplingskenor  
Barrette  
Barras  
Kytikin johto

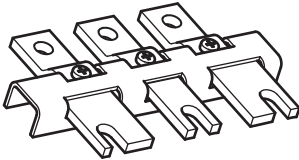
1SFC 380038-89, ed.6, page 1/2, June 2004



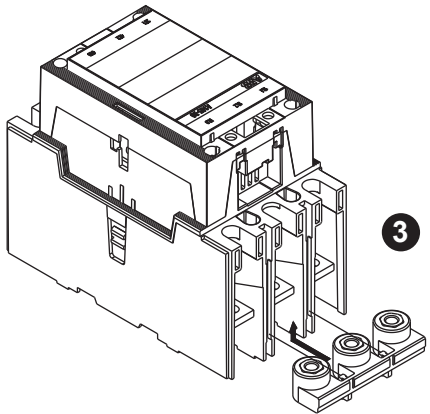
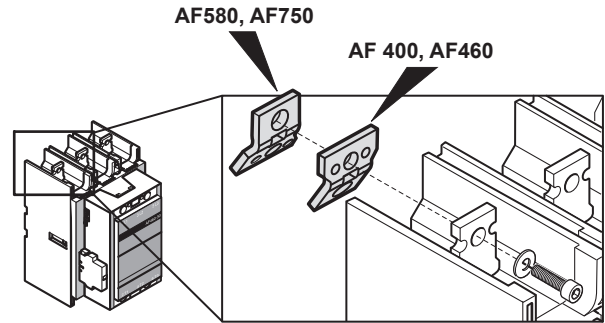
BEA.../S4/S5



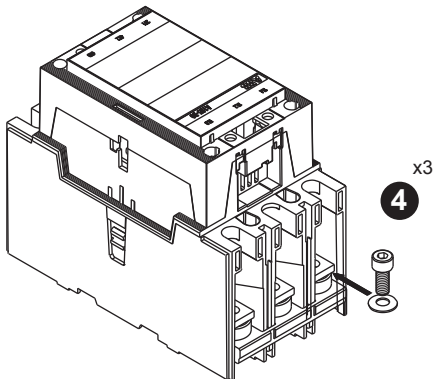
BEA...-20D/S4/S4



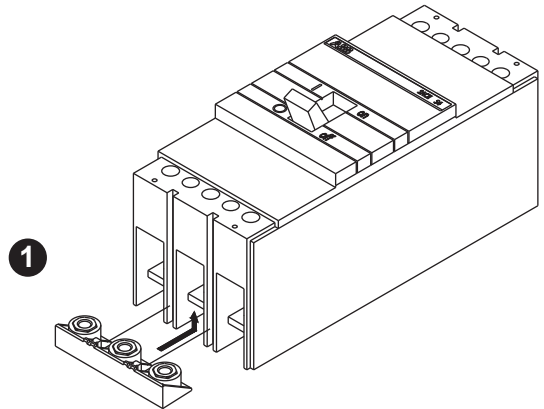
BEA...D/S4/S5



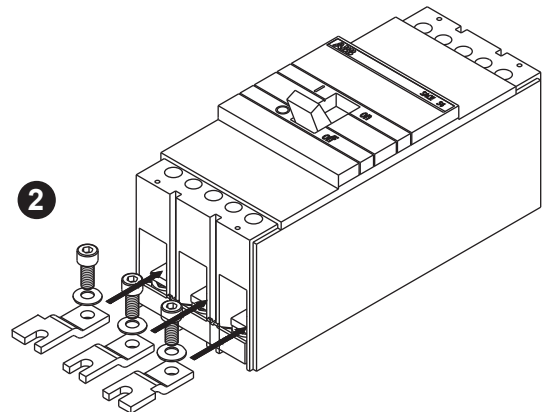
3



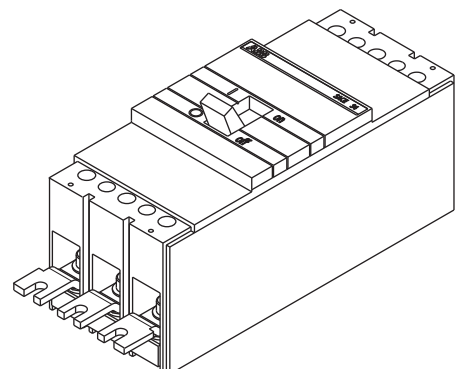
4 x3



1



2



A/AF 210, 260, 300

AF400, AF460

M10

M10

18 Nm - 160 lb.in

35 Nm - 310 lb.in

